



Shear Beam Hermetically Sealed Load Cell

# VLC-A100SH

**APPLICATIONS**

- Tank Weighing
- Hopper weighing
- Platform scales

**WIRING**

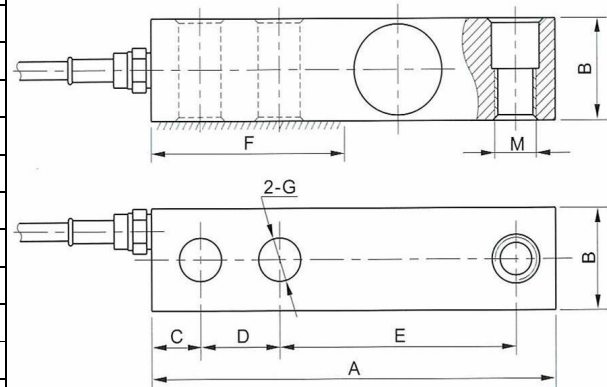
RED	Input (+)
BLACK	Input (-)
GREEN	Output (+)
WHITE	Output (-)

**CAPACITY (klb)**

1, 2.5, 4, 5, 10
------------------

**SPECIFICATIONS**

Rated Output	2mV/V ± 0.2%
Non-Linearity	0.03% F.S.
Hysteresis	0.03% F.S.
Non-repeatability	0.02% F.S.
Creep (in 1 hr)	0.03% F.S.
Zero Balance	± 1%
Temp. effect span	15 PPM/°C
Temp. effect zero	26 PPM/°C
Operating Temp. range	- 20°C ~ + 60°C
Compensated Temp. range	- 10°C ~ + 40°C
Input resistance	410 ± 15Ω
Output resistance	350 ± 3Ω
Safe overload	150% F.S.
Ultimate overload	300% F.S.
Excitation voltage	10VDC/AC
Max. Excitation voltage	15VDC/AC
Insulation resistance	≥ 2000MΩ
Environmental protection	IP68
Material	Stainless steel
Cable length	20FT



**DIMENSION**

Capacity (klb)	Size (inch)							Thread inch M
	A	B	C	D	E	F	G	
1 - 4	5.12	1.26	0.62	1.00	3.00	2.20	0.53	½ - 20UNF-2B
5 - 10	6.75	1.50	0.75	1.50	3.75	3.00	0.79	¾ - 16 UNF-2B

**Virtual Measurements & Control Inc**

196 Coffey Lane, Suite 604, Santa Rosa, CA95403  
Tel: (707) 573 3111 Fax: (707) 573 3113

Dealer

**Virtual Measurements & Control (Asia) Pte Ltd**

24 Hillview Terrace, Singapore 669235  
Tel: (65) 6762 5522 Fax: (65) 6763 6656